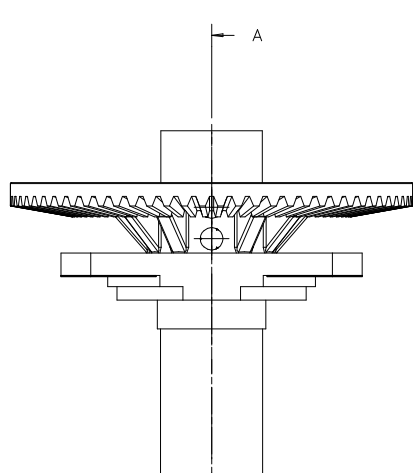
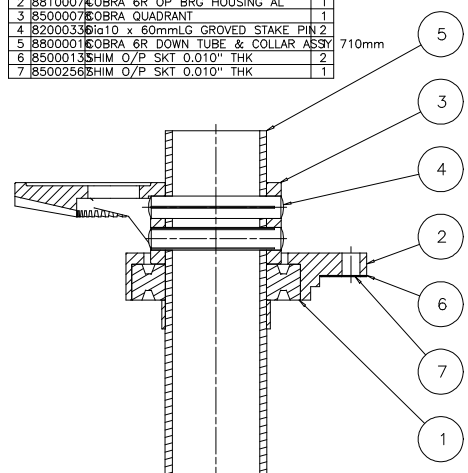


Item	Name	Description	Qty
1	82000054	5x7x16 BEARING	1
2	8810007	O/BRA 6R OP BRG HOUSING AL	1
3	8500007	O/BRA QUADRANT	1
4	8200033	6a10 x 60mmLG GROVED STAKE PIN 2	1
5	8800001	O/BRA 6R DOWN TUBE & COLLAR ASSY	1
6	8500013	SHIM O/P SKT 0.010" THK	2
7	8500256	SHIM O/P SKT 0.010" THK	1



GENERAL NOTES:-  
 MAXIMUM WORKING ANGLE OF UNIVERSAL JOINT IS 20°

O/BRA 6R DOWN TUBE ASSY		SCALE:-	1:1 @ A3
		DRAWN:-	TOT
		DATE:-	10/08/2004
		SHEET:-	1 OF 1
		CHECKED:-	
		DATE:-	10/08/04
		APPROVAL:-	T
		LAYOUT NO:-	1 REV
			89000057 A

FILE STORAGE LOCATION: LAYOUTS - COBRA

THE DRAWING AND ALL THE INFORMATION PROVIDED ARE PROPERTY OF LEWIS & CLARK  
 IN WHOLE OR IN PART. NO REPRODUCTION, COPIES OR TRANSMISSIONS ARE PERMITTED WITHOUT PERMISSION. COPYRIGHT © LEWIS & CLARK

**LEWIS & CLARK**  
 LEWIS & CLARK STEERING DIVISION  
 10000 100th Street, Unit 100, St. Louis, MO 63143  
 TEL: 314-991-1000 FAX: 314-991-1001

DWG FILE: \\C:\E\3DP\99000057\99000057

A-A

A